

4

3

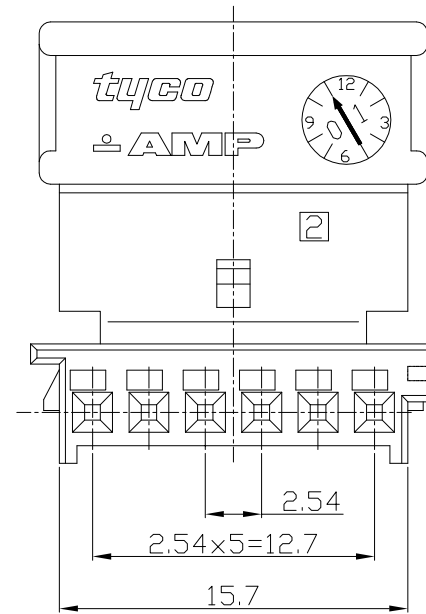
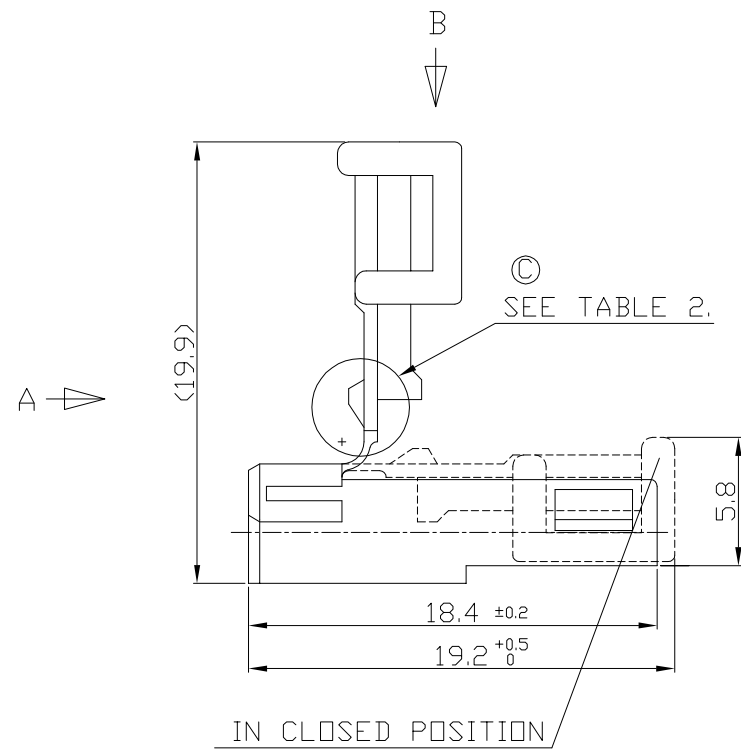
2

1

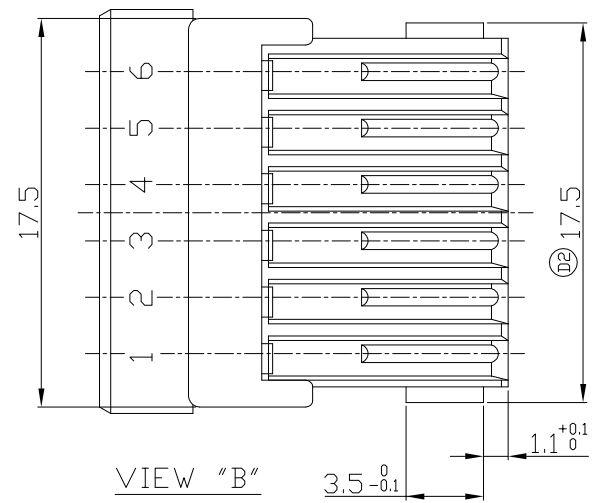
THIS DRAWING IS UNPUBLISHED. RELEASED FOR PUBLICATION  
© COPYRIGHT BY TYCO ELECTRONICS CORPORATION, ALL RIGHTS RESERVED.

REVISIONS

| P | LTR | DESCRIPTION             | DATE       | DWN | APVD |
|---|-----|-------------------------|------------|-----|------|
|   | B   | REVISED (FC00-0117-03)  | 13.AUG.'03 | YD. | CS   |
|   | C   | REVISED (ECR-06-010316) | 09.MAY.'06 | GC  | JK   |
|   | D   | REVISED (ECR-07-030400) | 18.DEC.'07 | YC  | JK   |
|   | D1  | REVISED (ECR-09-018252) | 14.AUG.'09 | YC  | HG   |
|   | D2  | REVISED (ECR-16-004121) | 30.MAR.'16 | JM  | JW   |

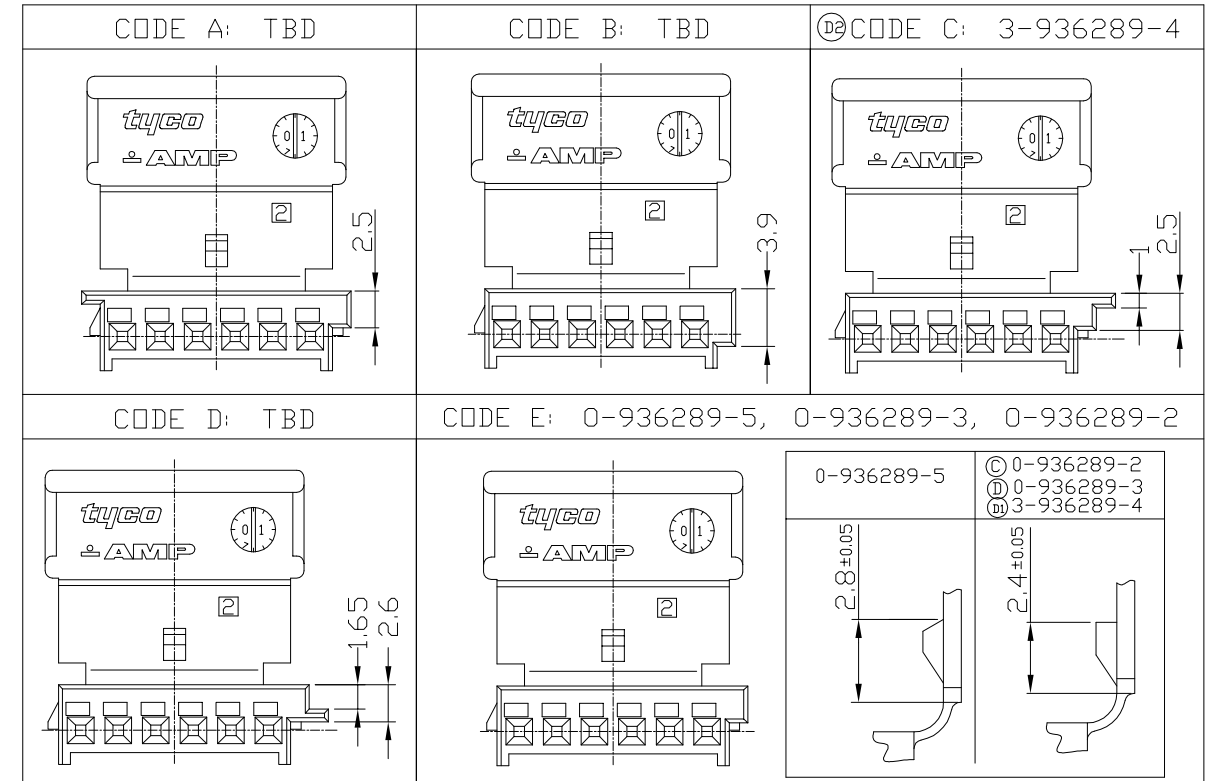


VIEW "A"



VIEW "B"

(TABLE 1) SCALE 2:1



| NO | CODE | COLOR | MATERIAL | DESCRIPTION | PART NO.   |  |
|----|------|-------|----------|-------------|--|--|
| ①  | 7    | E     | GRAY     | PA66        | MQS. SOCKET HOUSING, 6POS. (CODING:E) 0-936289-3 |  |
| ③  | ④    | 6     | E        | BLACK       | ⑤ PA66   | MQS. SOCKET HOUSING, 6POS. (CODING:E) 0-936289-2 |
|    | 5    | E     | NATURAL  | PBT         | MQS. SOCKET HOUSING, 6POS. (CODING:E) 0-936289-5 |  |
|    | 4    | D     | -        | PBT         | MQS. SOCKET HOUSING, 6POS. (CODING:D) TBD        |  |
| ②  | 3    | C     | -        | PBT         | MQS. SOCKET HOUSING, 6POS. (CODING:C) 3-936289-4 |  |
|    | 2    | B     | -        | PBT         | MQS. SOCKET HOUSING, 6POS. (CODING:B) TBD        |  |
|    | 1    | A     | -        | PBT         | MQS. SOCKET HOUSING, 6POS. (CODING:A) TBD        |  |

NOTE

- BE MATED WITH HEADER HSG (P/N : 936287) SMOOTHLY
- CODE IS AS FOLLOWS: SEE TABLE 1.
- APPLICABLE RECEPTACLE CONTACT P/N:

| Part NO. | DESCRIPTION                         | WIRE SIZE(mm <sup>2</sup> ) |
|----------|-------------------------------------|-----------------------------|
| 928999-1 | MQS RECEPTACLE TML (SOCKET CONTACT) | 0.2 ~ 0.5                   |
| 963715-1 | MQS RECEPTACLE TML (SOCKET CONTACT) | 0.75                        |

- MQS CONTACT(AVX-F: 0.5mm<sup>2</sup> / AVSS-X: 0.75mm<sup>2</sup>)

- ④ 0-936289-5 : ONLY EXPORT(LOCKING FORCE : MIN 4kgf)
- ① 0-936289-2, 0-936289-3 : LOCKING FORCE : OVER 8kgf)

THIS DRAWING IS A CONTROLLED DOCUMENT FOR TYCO ELECTRONICS CORPORATION IT IS SUBJECT TO CHANGE AND THE CONTROLLING ENGINEERING ORGANIZATION SHOULD BE CONTACTED FOR THE LATEST REVISION.

|                |  |   |  |  |  |                               |  |
|----------------|--|---|--|--|--|-------------------------------|--|
| DIMENSIONS: MM |  | TOLERANCES UNLESS OTHERWISE SPECIFIED:<br>0 <XX<10 ± 0.2<br>10<XX<30 ± 0.25<br>30<XX ± 0.3<br>ANGLES ± 3° |  | DWN JM JEON<br>CHK -<br>APVD JW JUNG<br>PRODUCT SPEC -<br>APPLICATION SPEC -<br>WEIGHT - |  |                               |  |
| MATERIAL -     |  | FINISH -  |  | NAME   |  | MQS. SOCKET HOUSING, 6POS     |  |
|                |  |   |  | SIZE   |  | RESTRICTED TO                 |  |
|                |  |   |  | A3 00779   |  | -                             |  |
|                |  |   |  | C-936289   |  | -                             |  |
|                |  |   |  | CUSTOMER DRAWING   |  | SCALE 3/1 SHEET 1 OF 1 REV D2 |  |